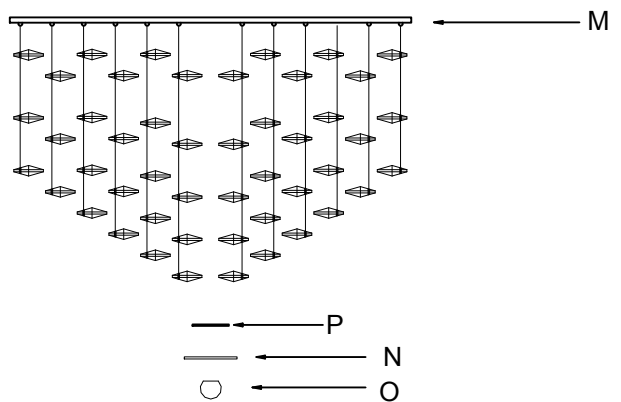
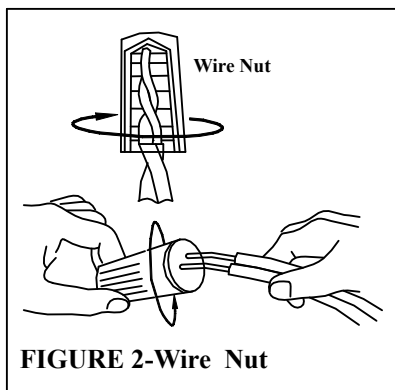
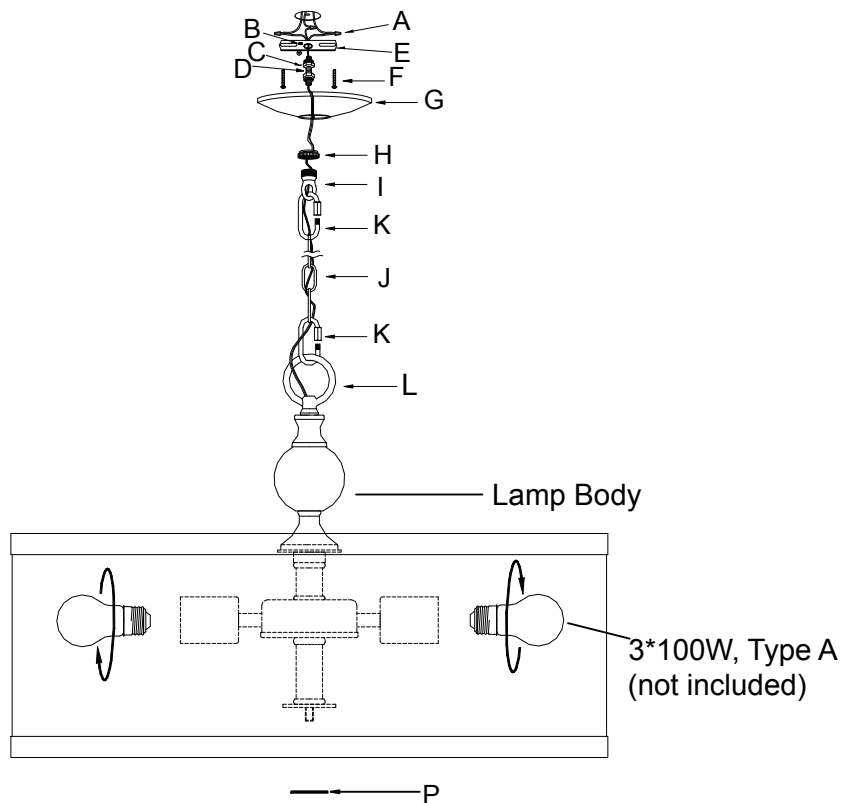
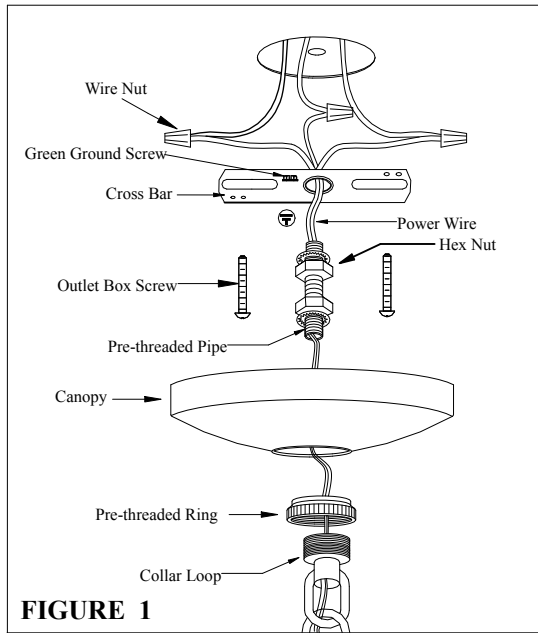


# UTTERMOST

## ASSEMBLY INSTRUCTIONS

### Assembly Instruction



# UTTERMOST

## ASSEMBLY INSTRUCTIONS

STYLE NO.:21908

### Parts and Hardware List

NO.	Description	Quantity
A.	Wire Nut	3 pcs
B.	Green Ground Screw	1 pc
C.	Hex Nut	2 pcs
D.	Pre-thread Pipe	1 pc
E.	Cross Bar	1 pc
F.	Outlet Box Screw	2 pcs
G.	Canopy	1 pc
H.	Pre-threaded Ring	1 pc

NO.	Description	Quantity
I.	Collar Loop	1 pc
J.	Chain	1 pc
K.	Quick Link	2 pcs
L.	Loop	1 pc
M.	Diffuser Assembly	1 pc
N.	Sheet Iron	1 pc
O.	Ball Nut	1 pc
P.	Plastic Electrical Sheet	2 pcs

Please make sure that you have all the parts indicated before you begin to assemble this item.

Please read Wiring Instructions before you begin assembling and installing your Ceiling Lamp.

**WARNING: BEFORE INSTALLING**, make sure the electricity supply is shut off to avoid a possible electric shock.

### Assembly Instructions

1. Carefully remove the parts and hardware from the carton.
2. Attach the Loop (L) to the Lamp Body and secure by turning in a clockwise direction.
3. Fasten the Cross Bar (E) to the Outlet Box by using the Outlet Box Screws (F).
4. Insert the shorter end of the Pre-threaded Pipe (D) into the pre-drilled hole in the Cross Bar (E) and secure with the Hex Nut (C). (See Figure 1)
5. Attach the Collar Loop (I) to the exposed end of the Pre-threaded Pipe (D) and secure by turning in a clockwise direction.
6. Attach one Quick Link (K) on one end of the Chain (J) to the Loop (L) on the Lamp Body.
7. Slip the Pre-threaded Ring (H) first and then the Canopy (G) over the other end of the Chain (J), then attach the other Quick Link (K) on the other end of the Chain (J) to the Collar Loop (I).
8. Thread the wire through every link of the Chain (J), through the Collar Loop (I) and up through the Pre-threaded Pipe (D). (See Illustration)
9. Place the white, ribbed or tinted wire evenly against the white wire from the outlet box and place the black, smooth or un-tinted wire evenly against the black wire from the outlet box. (Connecting the Wires - See Figure 2)
10. After the wires are connected, tuck them carefully inside the Outlet Box. Place the Canopy (G) over the Outlet Box and secure with Pre-threaded Ring (H).
11. Install 3\*100 Watt, Type A bulbs (sold separately) into the sockets of the fixture.
12. Attach one Plastic Electrical Sheet (P), the Diffuser Assembly (M), the other Plastic Electrical Sheet (P) and the Sheet Iron (N) onto the Lamp Body one by one and secure with the Ball Nut (O).